

**FLOWING
WITH
EXCELLENCE**



Residential



Industrial

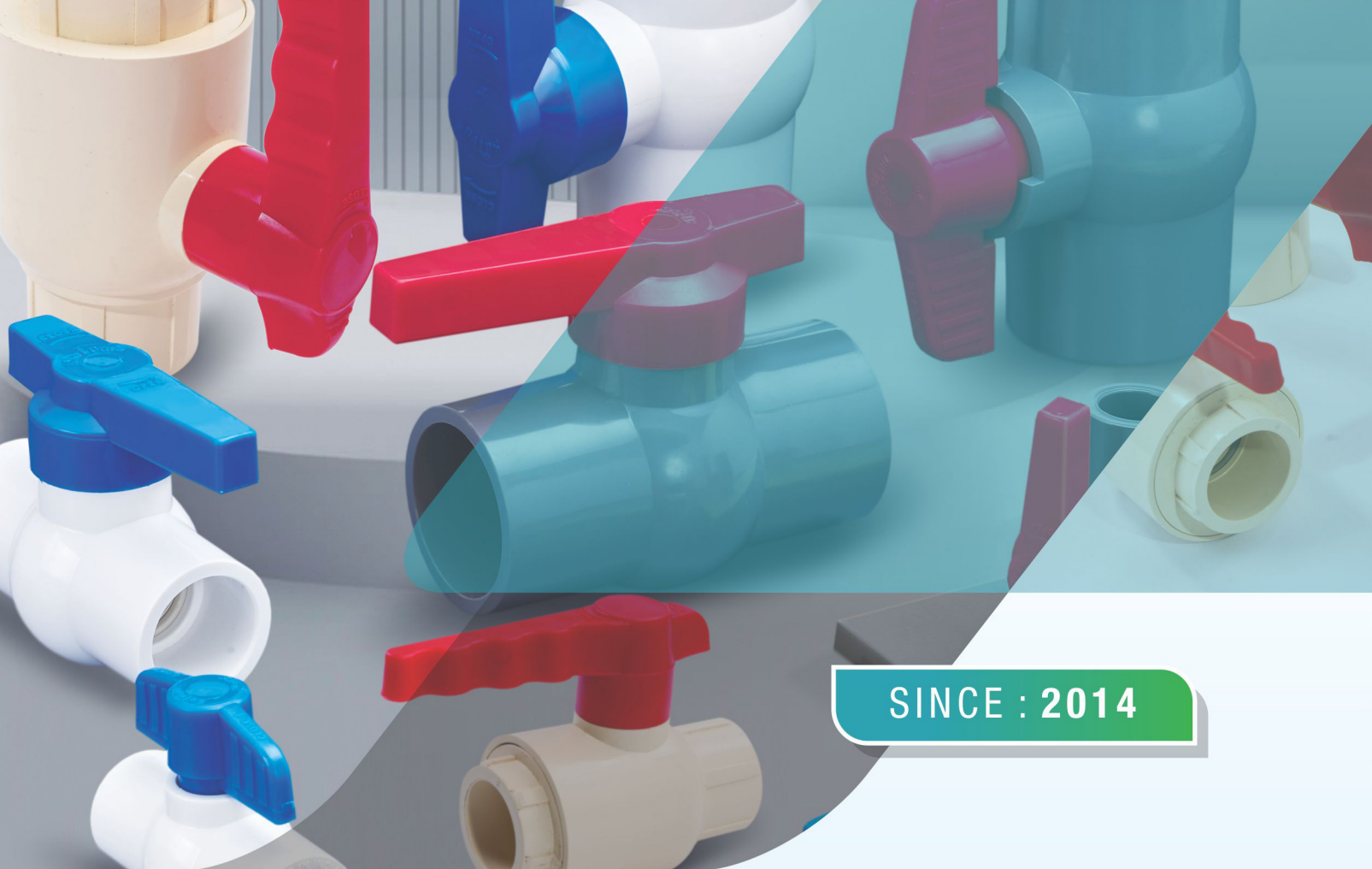


Agriculture

SINCE : 2014

An ISO 9001 : 2015 Certified Company





SINCE : 2014

CORPORATE PROFILE

Satva Irritech - a dream project that was an envision of the directors / promoters of this company was incorporated after all ' pros & cons ' were worked out for a meticulously engineered planning with a global innovative business initiative & acumen aided by experienced & qualified professionals.

The company - Satva Irritech was established in the year 2014 in Ahmedabad, the industrial capital city of Gujarat to manufacture precision prime quality PVC Ball Valves, Agriculture irrigation fittings & allied accessories. The company work facility has an adequate vast expanse to accommodate all in house work force.

The company ensures a vibrant and performance driven environment with excellent opportunities for product enhancement and all round growth. The manufacturing operation is a multi-disciplinary engineering concept fully integrated in terms of expertise, know how and ultra techniques.

The state of the art injection molding machines are actively maintained at highest standards. Each valve has to pass through stringent testing operations which is backed by systematic hydro static pressure test and pneumatic air pressure test on an exigency basis.

The company out sources the highest grade PVC Resin and Polymers from the best global suppliers. The company manufactures variety of valves like CPVC Ball Valve, UPVC Ball Valve and RPVC Ball Valve in all range of sizes, Agriculture Irrigation products like ISI Venturi Injector, Tail Piece Flange, Flush Valve, Service Saddle & other allied fittings.

The company remains ever alert to capitalize global innovations & implement the same immediately before they become apparent to with stand healthy global competition and develop & provide the latest modern products & service in a very prompt time schedule.

Our products are designed for convenient adaptation for easy to use, fit & install. We guarantee better hi-life of our products with No compromise on quality. We offer all products at a very affordable & competitive market price. Customer's ultimate satisfaction is our business motto. We maintain a very close mutual relationship with our clients.

An ISO 9001 : 2015 Certified Company



U.V.
Resistance



Lead
Free



Leak
Proof



Chemical
Resistant



High Impact
Strength



Stringent
Quality Control



Easy
Installation

ADVANTAGES :

Ball Seats Ring

PTFE / EPDM floating seat design offers smooth operation and reduces wear & tear.

O-Ring Seals

High Grade, abrasion resistant elastomer O-rings.

High Impact Handle

Double stop engagement with excellent resistance to most environments.

Leak Proof

Pressfit lock assembly with O-rings ensures proper fitment without a gap between the ball & the stem. PTFE / EPDM seats provided on both sides of the ball also helps in preventing leakages.

Easy Installation

No Special tools required for installation.

SALIENT FEATURES:

- Long life span & assembles quickly.
- Safe for sensitive applications as it is processed from non-toxic lead free compound.
- Easily installed with solvent cement.
- Can be installed in vertical or horizontal piping system.
- Every valve is hydrostatically tested before dispatch.
- Stem guides prevent side thrust.
- Open / Close positions indicated on handle.
- No metal part inside for corrosion to occur.
- Specially designed Bore which gives optimum flow rate.
- Proper care taken for full strength & leakage proof manufacturing design.

uPVC BALL VALVE

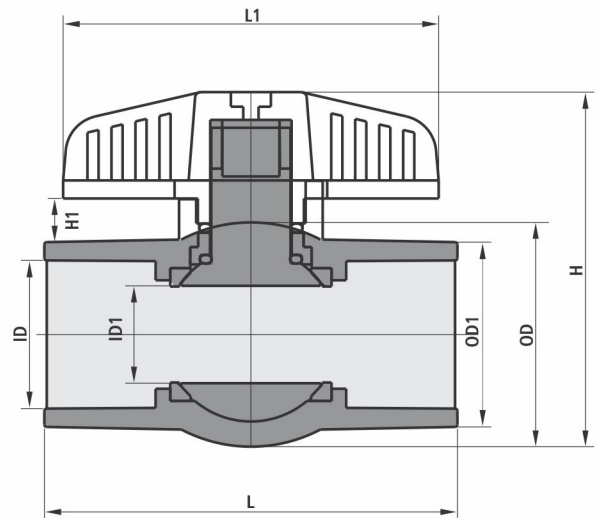
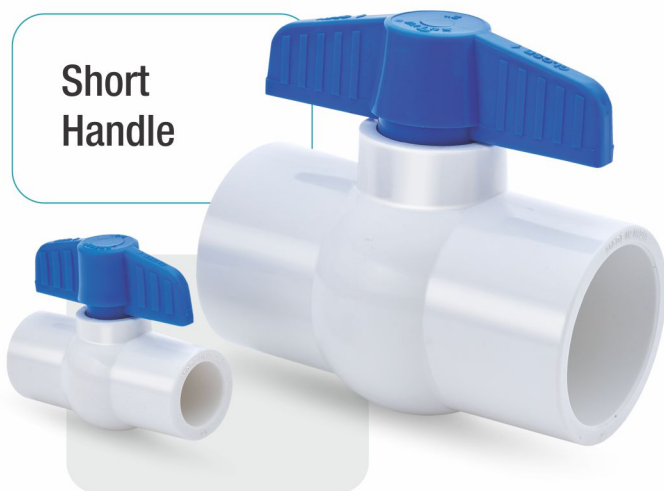
(Plain End / Threaded)

Size : 1/2" to 2"

Application :

uPVC Ball Valves meets standard as per ASTM D-2467, are designed for portable water distribution as well as plumbing applications. Such as, Cold water pumping applications in buildings, Water distribution main lines, Industrial process lines, Corrosive fluid transportation, Swimming pools, Salt water line etc.

Note : Not suitable for compressed air and gases.



uPVC BALL VALVE TECHNICAL DATA

SIZE	ID (mm)	ID1 (mm)	OD (mm)	OD1 (mm)	L (mm)	L1 (mm)	H (mm)	H1 (mm)
1/2"	21.23	13.50	38.50	31.00	75.50	69.30	65.00	8.00
3/4"	26.57	18.70	45.50	36.30	85.00	77.50	76.50	10.00
1"	33.27	24.00	55.00	43.50	100.00	97.80	91.50	14.00
1-1/4"	42.04	28.00	64.00	52.60	115.70	105.50	101.50	14.00
1-1/2"	48.11	34.50	73.50	60.70	128.70	122.00	114.50	16.00
2"	60.17	45.80	89.30	74.70	146.00	132.80	138.00	21.30

CPVC BALL VALVE



Size : 1/2" to 2"

HOT & COLD
WATER APPLICATION

Long Handle



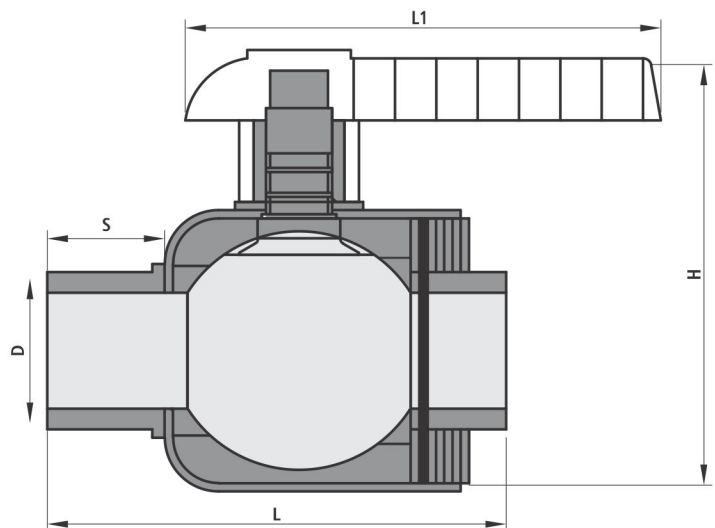
Standard :

Meet standard of CPVC ball valves
ASTM-D2846, SDR11, CTS (Socket)
wide temperature range upto 82°C.

Application :

Ideal for Hot & Cold water application,
residential Plumbing, Industrial
Plumbing, HVAC System, Fire Sprinkler
System, Aquarium & Pools, Resort &
Hotels, Solar Water Heater System,
Portable water distribution in
commercial Building, High rise
Building.

Note : Not suitable for compressed air and gases.



CPVC BALL VALVE TECHNICAL DATA

SIZE	H (mm)	L (mm)	S (mm)	D (mm)	L1 (mm)
1/2"	–	–	–	–	–
3/4"	76.00	75.00	19.40	22.50	82.70
1"	89.40	89.40	23.40	28.80	106.00
1-1/4"	104.70	110.00	28.40	35.10	115.00
1-1/2"	119.70	128.40	33.20	41.66	130.40
2"	141.50	158.00	42.60	54.38	159.60

RPVC BALL VALVE

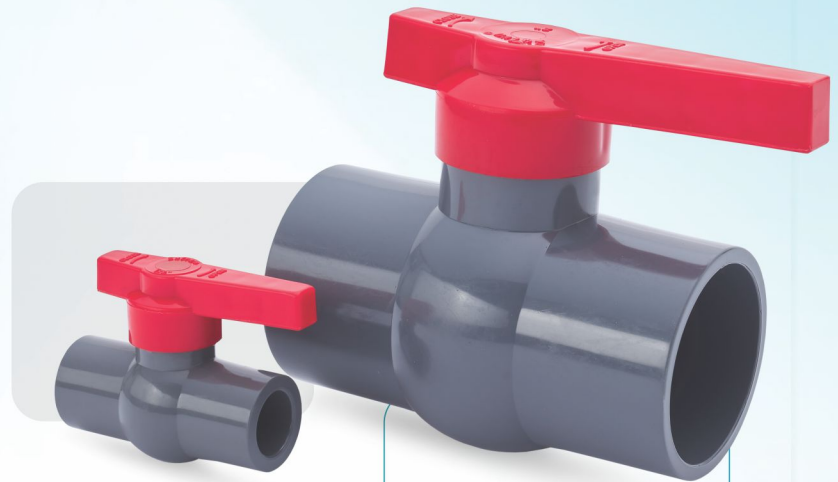
(Plain End / Threaded)

Size : 1/2" to 2"

Application :

Most suitable for efficient transportation of water in agriculture and allied applications. Such as, main lines for Sprinkler and Irrigation Systems, Portable Water Supply lines and Distributing lines, House-holds and Biogas Plants.

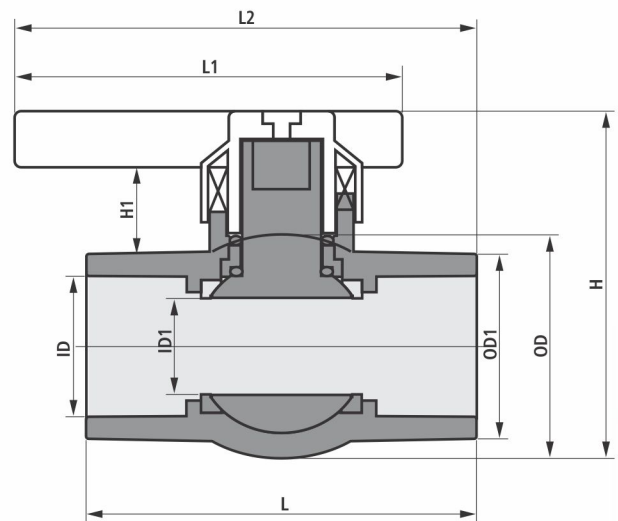
Note : Not suitable for compressed air and gases.



Long Handle



Short Handle



RPVC BALL VALVE TECHNICAL DATA

SIZE	ID (mm)	ID1 (mm)	OD (mm)	OD1 (mm)	L (mm)	L1 (mm)	L2 (mm)	H (mm)	H1 (mm)
1/2"	20.00	13.50	38.50	31.00	75.50	78.70	89.00	65.00	18.00
3/4"	25.00	18.70	45.50	36.30	85.00	89.50	100.00	75.50	22.00
1"	32.00	24.00	55.00	43.50	100.00	102.00	115.50	90.50	26.50
1-1/4"	40.00	28.00	64.00	52.60	115.70	121.50	137.70	98.50	25.00
1-1/2"	50.00	34.50	73.50	60.70	128.70	134.50	155.00	113.50	29.50
2"	63.00	45.80	89.30	74.70	146.00	148.00	173.00	137.80	38.00

DRIP IRRIGATION PRODUCTS



Service Saddle (Heavy)

Size : 40mm to 160mm



Saddle Clamp (Heavy-Grey)

Size : 40mm to 160mm



Service Saddle

Size : 40mm to 110mm



PP Single Union Ball Valve

Size : 25mm & 32mm



PVC Flush Valve

Size : 75mm



Tail Piece Flange
(Slip on Flange)

Size : 63mm to 110mm



ISI Venturi Injector

Size : 25mm to 63mm

IS : 14483(P1-1) 1997



CM/L 7200039404



SATVA IRRITECH

Plot No. 41, Om Industrial Park,
Opp. Rameshwar Bunglows & Arcade,
Ahmedabad Indore Highway,
Nr. Kuha Bus Stop,
At. Kuha, Tal. Daskroi,
Ahmedabad - 382433, Gujarat, India

Mobile : +91 9909 153 156
E-mail : satvairritech@gmail.com
Website : www.satvairritech.com

SCAN FOR



PDF CATALOG

SCAN FOR



LOCATION



INDUSTRY



AGRICULTURE



CONSTRUCTION